

TYPICAL SEATTLE CANOPY:

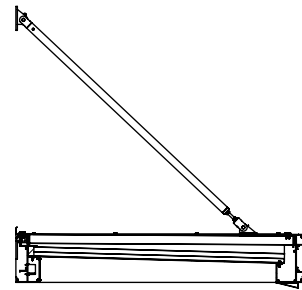
PROJECTION: 4'-0"
 FRAME WIDTH: 9'-6"
 TIE-BACK HEIGHT: 3'-0"
 FRONT SCUPPER DISCHARGE

STANDARD SIZE RANGE:

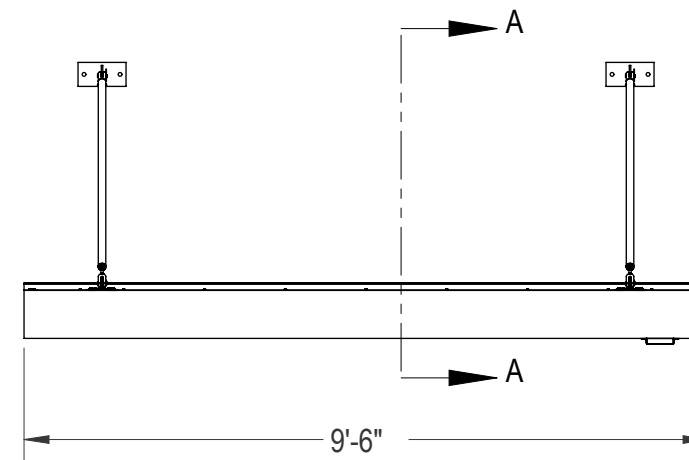
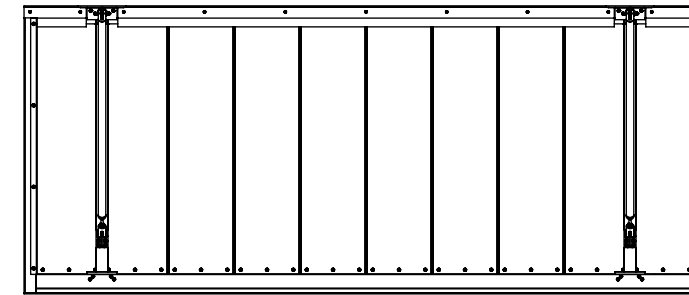
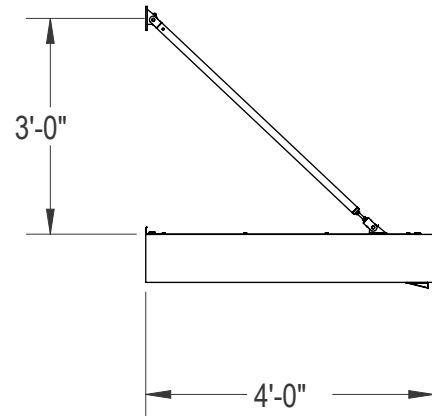
PROJECTION: 2'-0" to 6'-0"
 FRAME WIDTH: 4'-0" to 14'-8"
 TIE-BACK HEIGHT: 2'-0" to 3'-0"

OPTIONS:

PROJECTION: >6'-0" (require add'l eng)
 HIGH WIND/SNOW LOAD: YES NO
 DOWN SPOUTS: YES NO
 BACK GUTTER: YES NO



SECTION A-A



SUPERIOR WATER CONTROL

SPECIFY FOR:

- DT PICK-UP WINDOWS
- ENTRY WAYS
- DT LANES
- WALKWAYS

DRAWING NAME: TYPICAL SEATTLE CANOPY

REV	DATE	BY	DESCRIPTION
A	7/28/16	M.P.	INITIAL RELEASE

DESIGN NOTES:

100% ALUMINUM
 AAMA APPROVED POWDERCOAT
 MULTIPLE FACEPLATE DESIGNS
 FRONT & BACK GUTTERS
 DELIVERED ASSEMBLED

DWN BY: CHK BY: ENG. BY:

SCALE: 1:32

SHT. NO:
P-1.00