

SECTION A-A

PROJECT NAME: TUSCANY SYSTEM STANDARD DETAILS

REV	DATE	BY	DESCRIPTION
A	06/29/17	MP	INITIAL RELEASE

CUSTOMER:

SHIPPING ADDRESS:

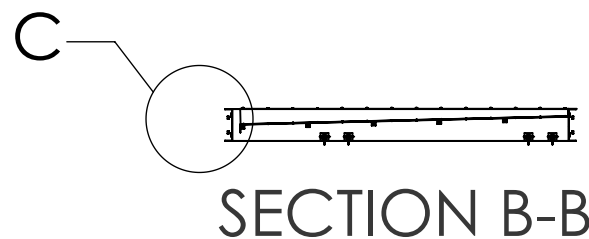
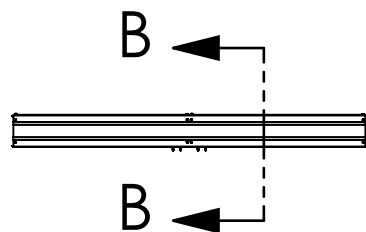
CONTRACTOR:

DWN BY: MP	CHK BY: JB	ENG. BY:
---------------	---------------	----------

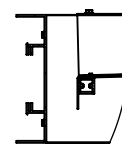
SCALE: 1:48

SHT. NO:

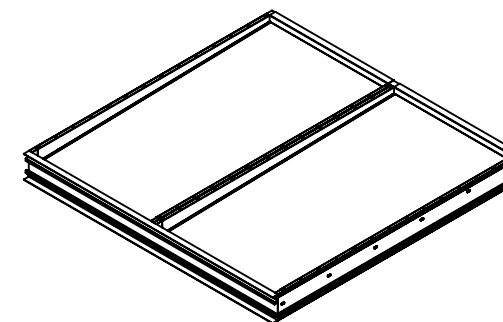
P-1.00



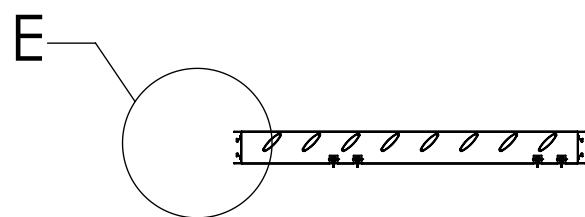
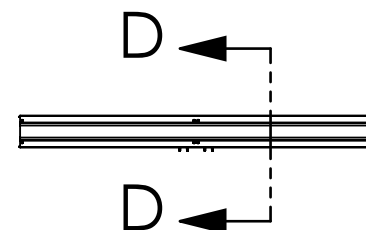
SECTION B-B



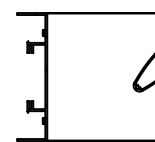
DETAIL C
 SCALE 1 : 12



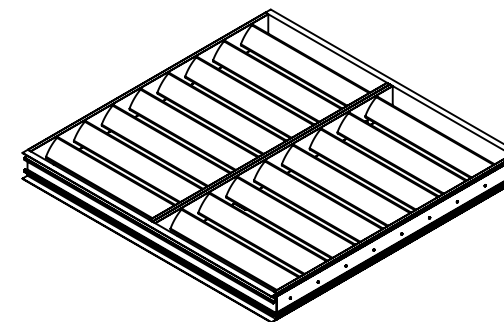
RAIN PAN INSERT OPTION



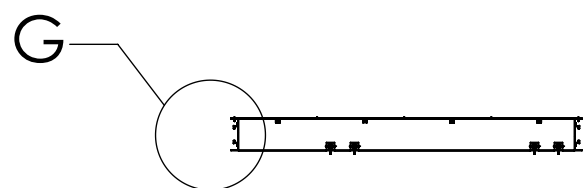
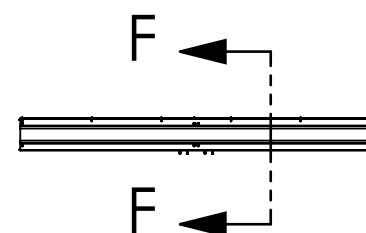
SECTION D-D



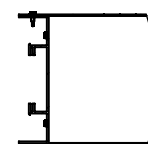
DETAIL E
 SCALE 1 : 12



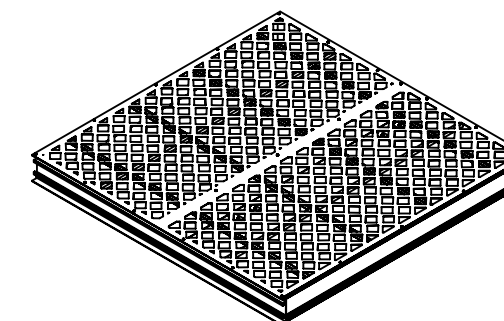
LOUVERED INSERT OPTION



SECTION F-F



DETAIL G
 SCALE 1 : 12



PERFORATED INSERT OPTION

PROJECT NAME: TUSCANY SYSTEM STANDARD DETAILS

REV	DATE	BY	DESCRIPTION
A	06/29/17	MP	INITIAL RELEASE

CUSTOMER:

SHIPPING ADDRESS:

CONTRACTOR:

DWN BY: MP	CHK BY: JB	ENG. BY:
---------------	---------------	----------

SCALE: 1:48

SHT. NO:

P-1.01