

STANDARD CARIBBEAN SHUTTER

PANEL HEIGHT: 44"

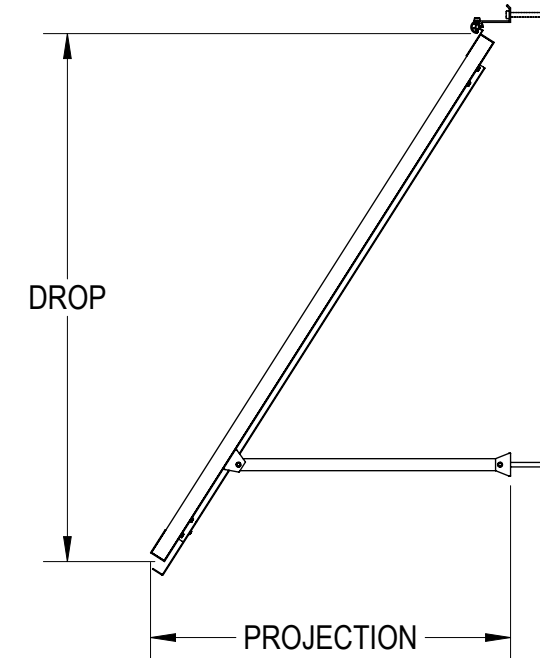
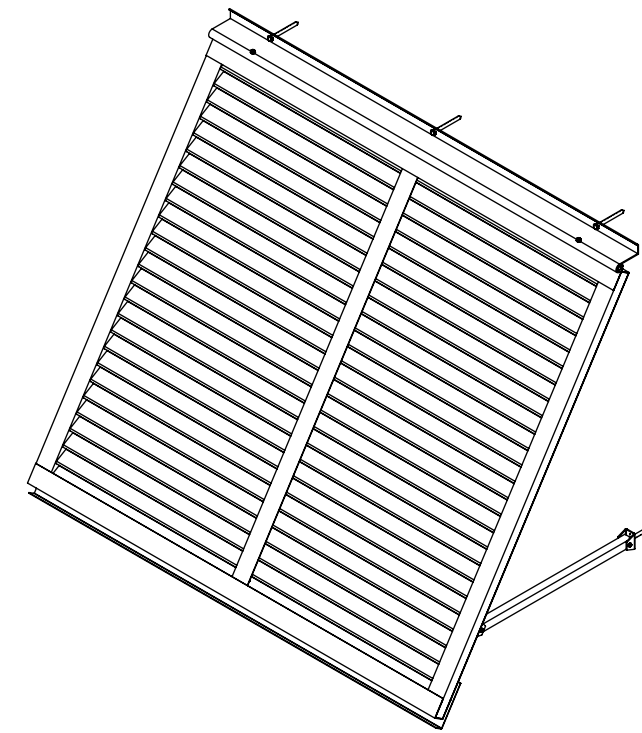
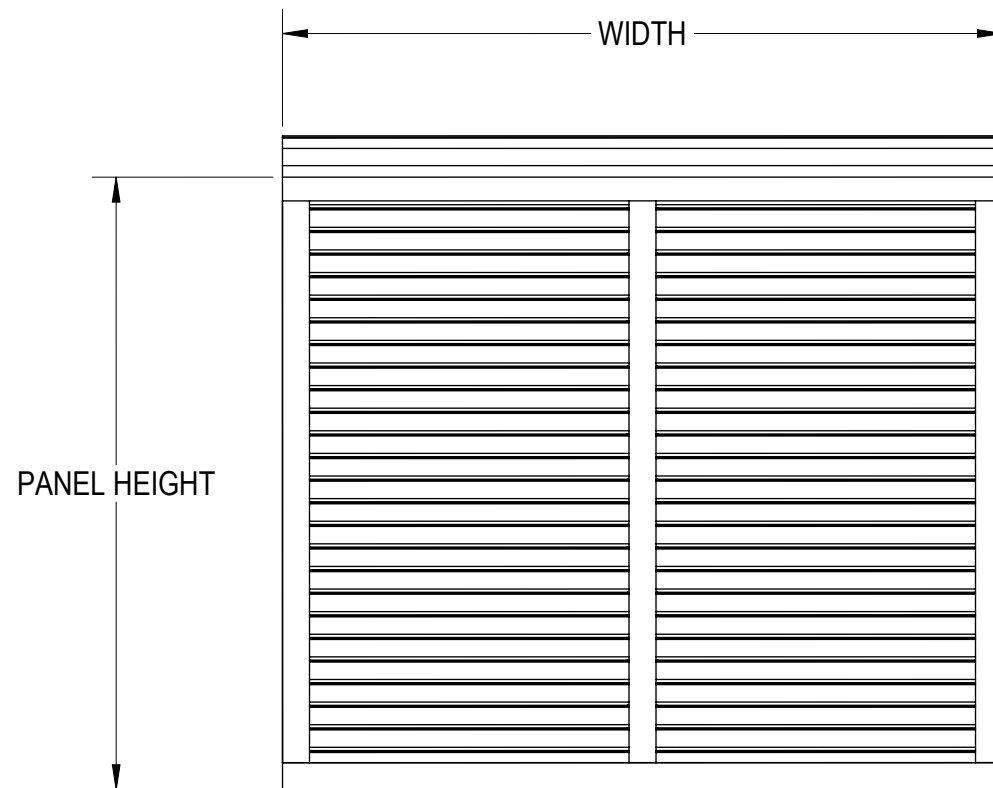
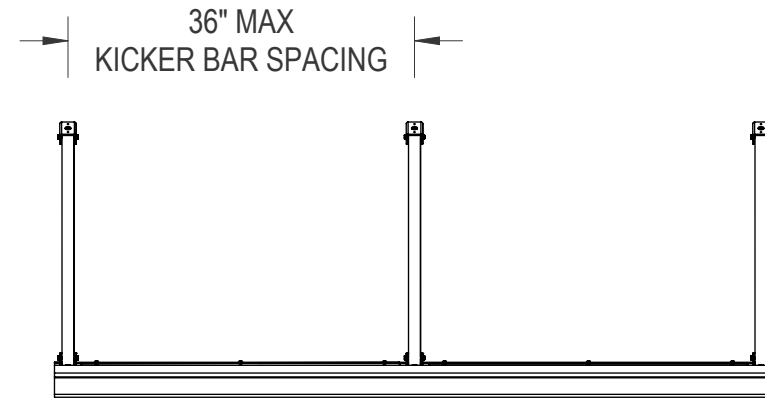
PANEL WIDTH: 40", 60", 72", 76", 88", 108"

OPTIONS

RAIN PAN: SHOWN

CUSTOM WIDTH: 120" (MAX HEIGHT 60")

CUSTOM HEIGHT: 96" (MAX WIDTH 72")



THE GARRETT COMPANY

Ball Ground, Ga. 30107

www.tgcsystems.com

Ph. 844-344-2100

SHUTTERS PROVIDE
FUNCTIONAL SHADE
AND BRANDING
ELEMENT

DRAWING NAME: TYPICAL CARIBBEAN SHUTTER

REV	DATE	BY	DESCRIPTION
A	8/9/17	MP	INITIAL RELEASE

DESIGN NOTES:

- 100% ALUMINUM
- AAMA APPROVED POWDERCOAT
- DELIVERED ASSEMBLED

DWN BY: MP	CHK BY: JB	ENG. BY:
---------------	---------------	----------

SCALE: 1:16

SHT. NO:

P-1.00

Reproduction of this document without the written authorization of TGC, LLC is strictly prohibited Copyright 2017, TGC, LLC.