

TYPICAL PHOENIX CANOPY:

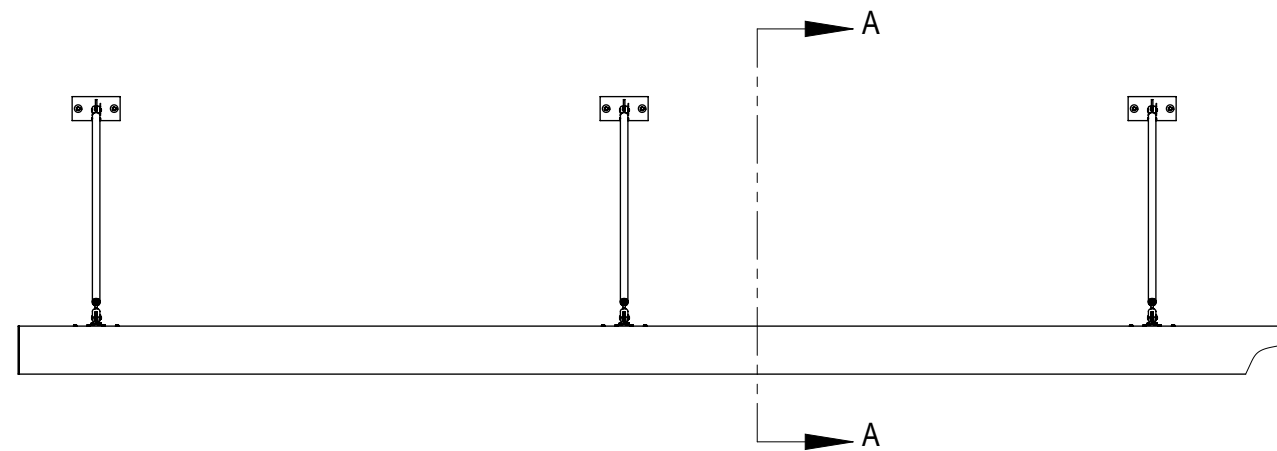
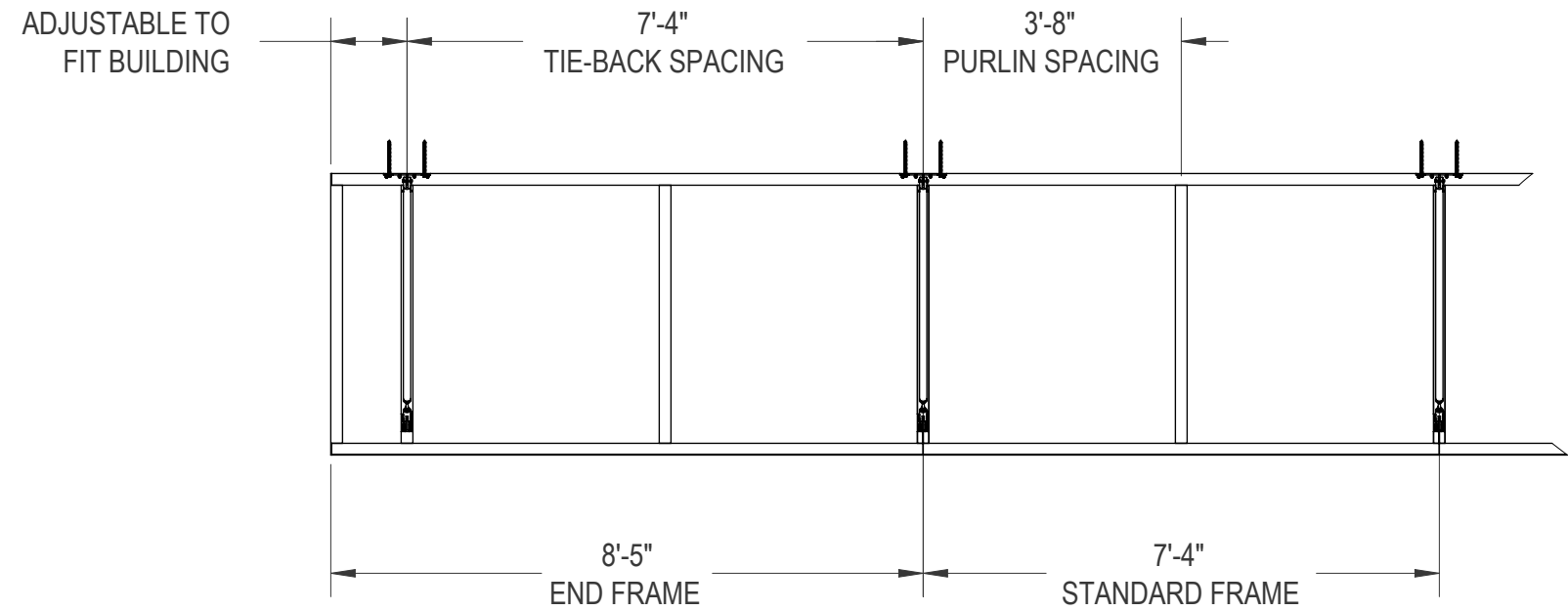
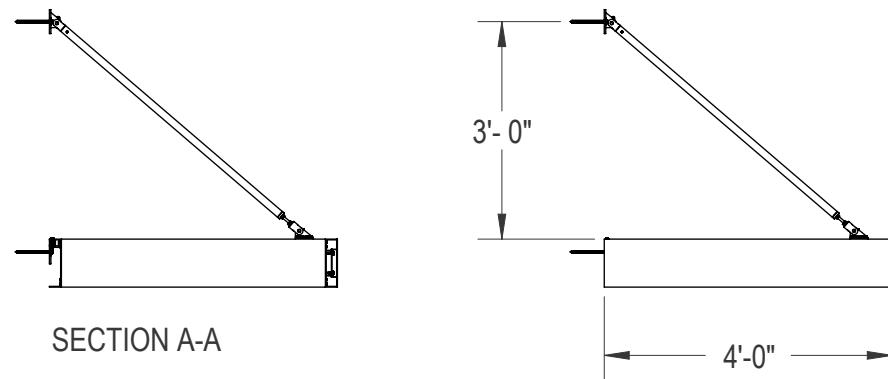
PROJECTION: 4'-0"
 FRAME WIDTH: 7'-4"
 TIE-BACK HEIGHT: 3'-0"
 OPEN FRAME

STANDARD SIZE RANGE:

PROJECTION: 1'-4" to 6'-0"
 END FRAME WIDTH: 1'-0" to 11'-0"
 INTERMEDIATE FRAME WIDTH: 1'-0" to 7'-4"
 TIE-BACK HEIGHT: 2'-0" to 3'-0"

OPTIONS:

PROJECTION: >6'-0" (require add'l eng)
 HIGH WIND/SNOW LOAD: YES NO
 LOUVER INSERT: YES NO
 RAIN PAN INSERT: YES NO



VERSITAL CANOPY WITH
 SUN AND WATER CONTROL

SPECIFY FOR:

- DT PICK-UP WINDOWS
- ENTRY WAYS
- DT LANES
- WALKWAYS

DRAWING NAME: TYPICAL PHOENIX CANOPY

REV	DATE	BY	DESCRIPTION
A	7/29/16	M.P.	INITIAL RELEASE
B	1/23/17	M.P.	CORRECTED STD SIZE RANGE

DESIGN NOTES:

100% ALUMINUM
 AAMA APPROVED POWDERCOAT
 MULTIPLE FACEPLATE DESIGNS
 LOUVER AND RAIN PAN INSERTS
 DELIVERED ASSEMBLED

DWN BY: M.P. CHK BY: S.M. ENG. BY:

SCALE: 1:32

SHT. NO:
P-1.00